



# HIGH PERFORMANCE FULL YARD SOUND SYSTEMS

DISCREET STYLING



TITANIUM TWEETERS



PASSIVE RADIATORS



BLUETOOTH CONNECTIVITY

ALL - WEATHER APPROVED

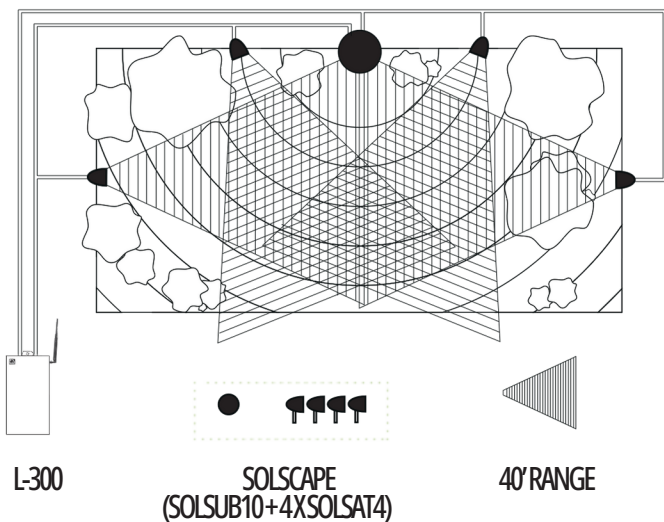
INTEGRATES WITH SONOS

LINK MULTIPLE SYSTEMS

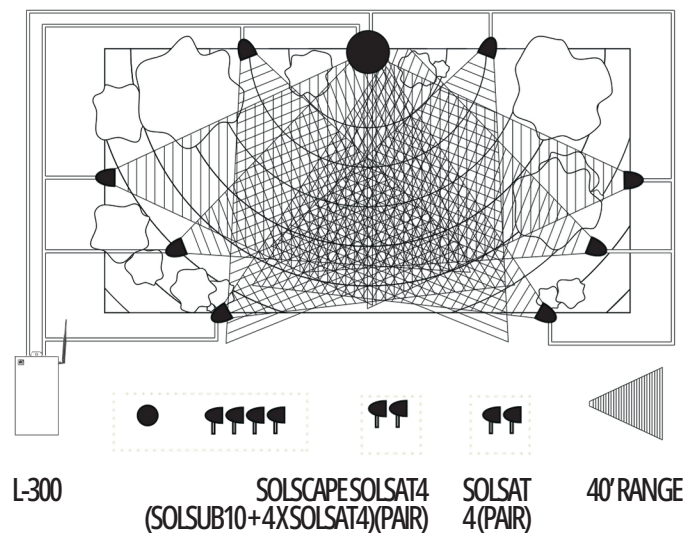
HIGH FIDELITY PERFORMANCE

# OUTDOOR SYSTEMS DESIGNED FOR YOUR SPACE

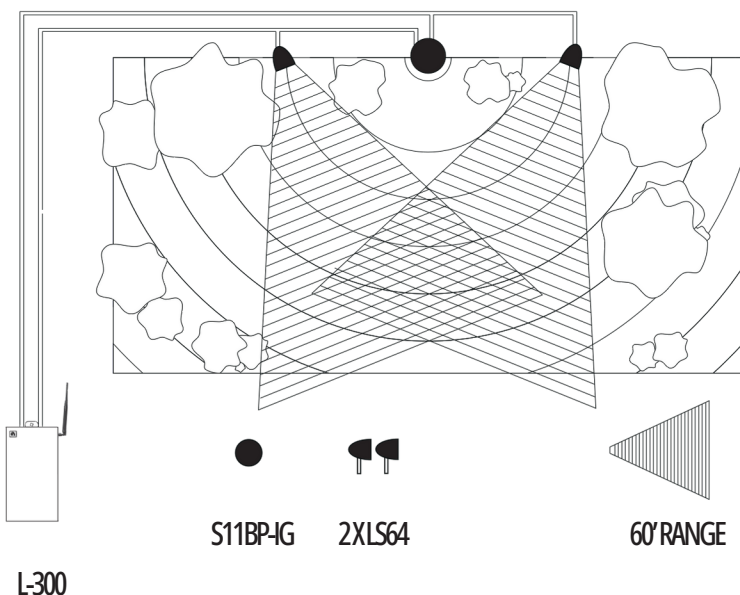
**AUDIO KIT 1** • APPROX. 1,500 SQFT



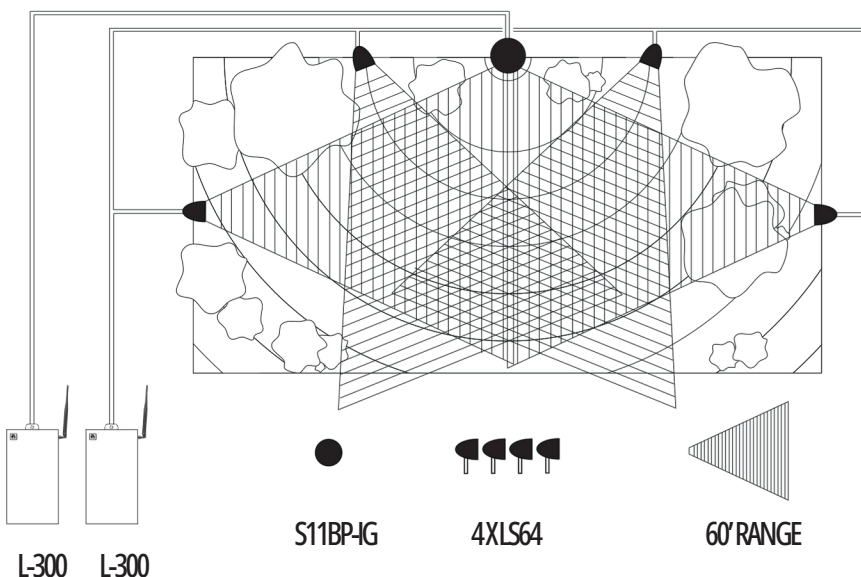
**AUDIO KIT 2** • APPROX. 2,500 SQFT



**AUDIO KIT 3** • APPROX. 3,000 SQFT



**AUDIO KIT 4** • APPROX. 3,500+ SQFT



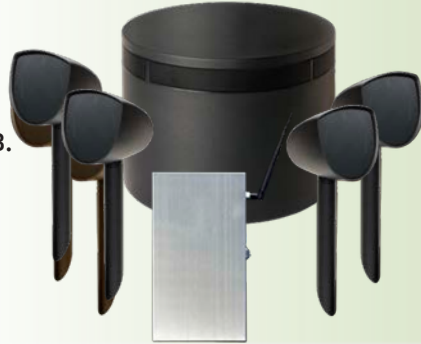
# OPTIMAL SOUND AUDIO SYSTEMS



## AUDIO KIT 1

APPROX. 1,500 SQFT

- 1 X L-300 AMPLIFIER
- 1 X SOLSUB10 BURIAL/HARDSCAPE SUB.
- 4 X SOLSAT4 LANDSCAPE SPEAKERS (INTEGRATED STAKES)



## AUDIO KIT 3

APPROX. 3,000 SQFT

- 1 X L-300 AMPLIFIER
- 1 X S11BP-IG BURIAL SUBWOOFER
- 2 X LS64 LANDSCAPE SPEAKERS
- 2 X LSL5 STAKES



## AUDIO KIT 2

APPROX. 2,500 SQFT

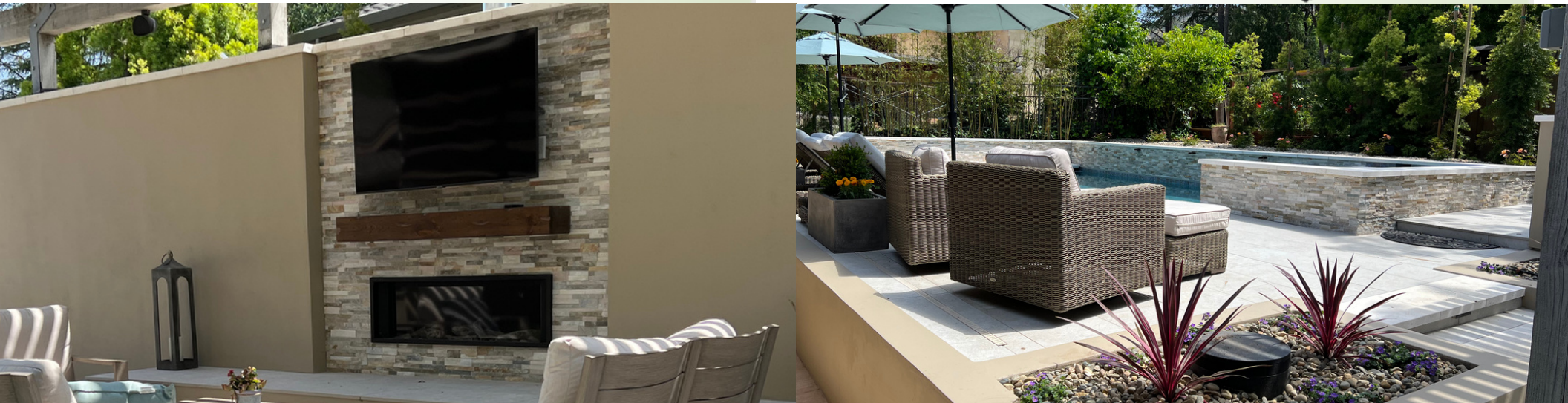
- 1 X L-300 AMPLIFIER
- 1 X SOLSUB10 BURIAL/HARDSCAPE SUB.
- 8 X SOLSAT4 LANDSCAPE SPEAKERS (INTEGRATED STAKES)



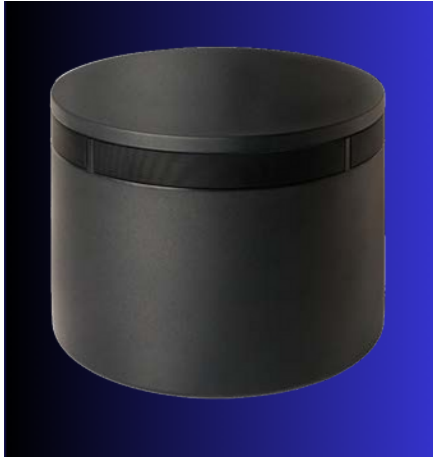
## AUDIO KIT 4

APPROX. 3,500 SQFT +

- 2 X L-300 AMPLIFIERS
- 1 X S11BP-IG BURIAL SUBWOOFER
- 4 X LS64 LANDSCAPE SPEAKERS
- 4 X LSL5 STAKES



# AUDIO KIT 1 & KIT 2 - FEATURES



**BURIAL OR  
HARDSCAPE**



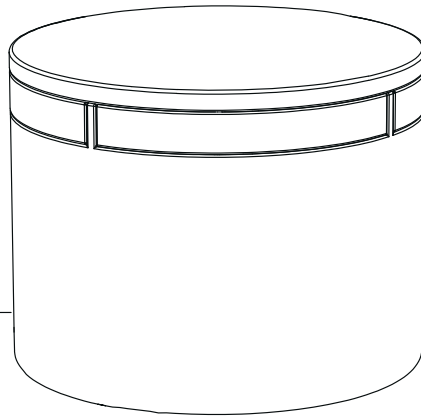
**SPIKES INCLUDED**



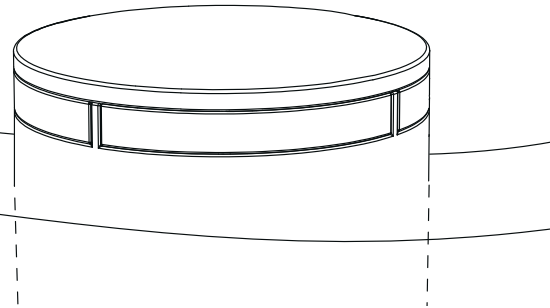
**DISCREET STYLING**



**TWO-WAY DESIGN**



- SIMPLE, FAST & FLEXIBLE INSTALLATION | EASY EXPANDABILITY
- COAXIAL TWO WAY SPEAKERS
- SOUND CAN BE DIRECTED INWARDS/ ELIMINATING DISTURBANCES TO SURROUNDING NEIGHBORS
- IPX6 RATED | ENGINEERED TO WITHSTAND ANY CONDITIONS FROM 4 ° TO 176 °F (-15.5 ° TO 80 °C)
- MOUNTING SPIKES INCLUDED



YOUR 2 CONDUCTOR WIRE, IS ALL THAT'S NEEDED TO PLANT THE KIT 1 OR 2 DIRECTLY INTO YOUR LANDSCAPE. THE SOLSAT4 SATELLITE SPEAKERS COME WITH RUST- PROOF HDPE STAKES ATTACHED THAT SPIKE RIGHT INTO A FOUNDATION OF ROCK, GRASS, AND SOIL WITH EASE. THE 10" DUAL VOICE COIL SUBWOOFER BODY CAN BE EMBEDDED UNDERGROUND OR USED OVER HARDSCAPE, PROVIDING RESOUNDING BASS.

# AUDIO KIT 3 & KIT 4 - FEATURES



**BALANCED  
POWERFUL BASS**



**HIGH DEFINITION  
AUDIO**



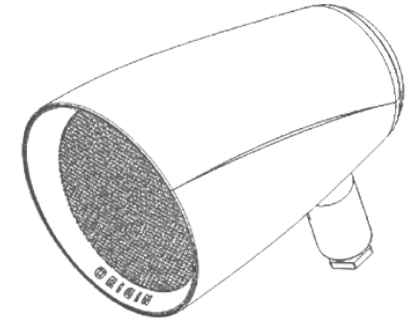
**PASSIVE RADIATORS**



**TITANIUM TWEETERS**



- COVER MORE AREA THAN TWICE THE LSAT COUNT
- DEEP RESOUNDING BASS
- TREE MOUNT OR SURFACE MOUNT OPTIONS
- ALL MOUNTING HARDWARE INCLUDED



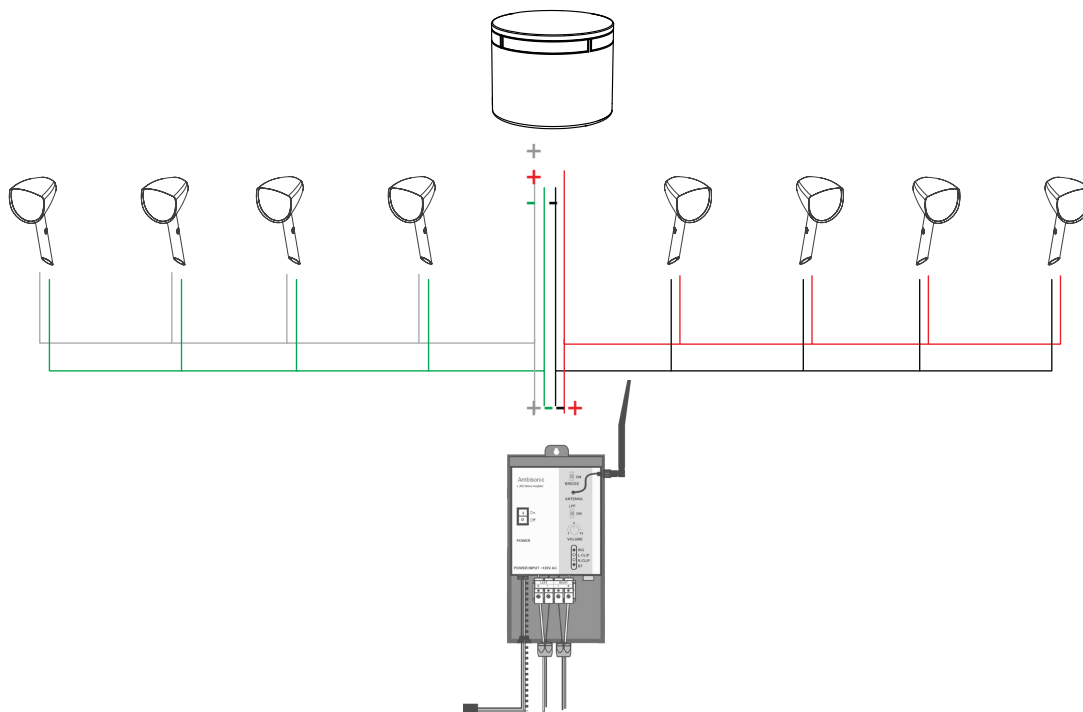
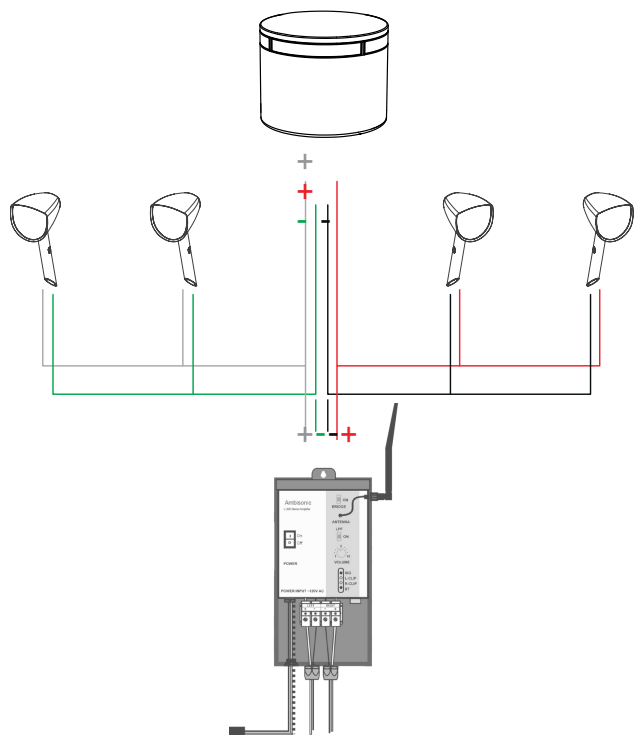
THE BULLET-STYLE LS64 LANDSCAPE LOUDSPEAKER PROVIDES JUST WHAT YOU NEED FOR OUTDOOR AUDIO: ROCK-SOLID IPX6 BUILD, PREMIUM DRIVERS, HEAVY-DUTY 50W 70V TAPS, AND FLEXIBLE MOUNTING HARDWARE. WITH THE POWERFUL AMBISONIC S11BP-1G BURIAL SUBWOOFER AND L-300 AMP, THE ENTIRE SYSTEM CAN BE DIALED IN FOR A FANTASTIC RESULT.

FROM A SIMPLE SUB/SAT SYSTEM NEAR THE PATIO, TO A MASSIVE DESIGN WITH NUMEROUS SUBS AND SATELLITES COVERING LITERALLY ACRES OF LANDSCAPE, THE SCALABILITY IS ESSENTIALLY LIMITLESS. ANY COVERAGE AND PERFORMANCE PARAMETERS YOU CAN IMAGINE ARE NOW POSSIBLE.

# AUDIO KIT 1 & KIT 2 - SPECIFICATIONS

## KIT 1

## KIT 2



SOLSAT4

SOLSUB10

### COMPONENT

WOOFER

SOLSAT4

4.25" Polypropylene

TWEETER

0.75" PEI

FREQ. RESPONSE

90Hz-20kHz +/-10dB

POWER HANDLING

120W-240W

IMPEDANCE

Kit 8Ω Nominal

SPL

87dB +/- 3dB

FINISH

Weather & UV Resistant ABS

DIMENSIONS

18" H x 5 3/4" W x 7 1/16" D

SOLSUB10

10" Dual Voice-Coil Polypropylene

N/A

35Hz - 150Hz +/-10dB

120W-240W

Kit 8Ω Nominal

N/A

Sealed Enclosure for Low Bass Extension

12 7/8" H x 15 3/4" Dia

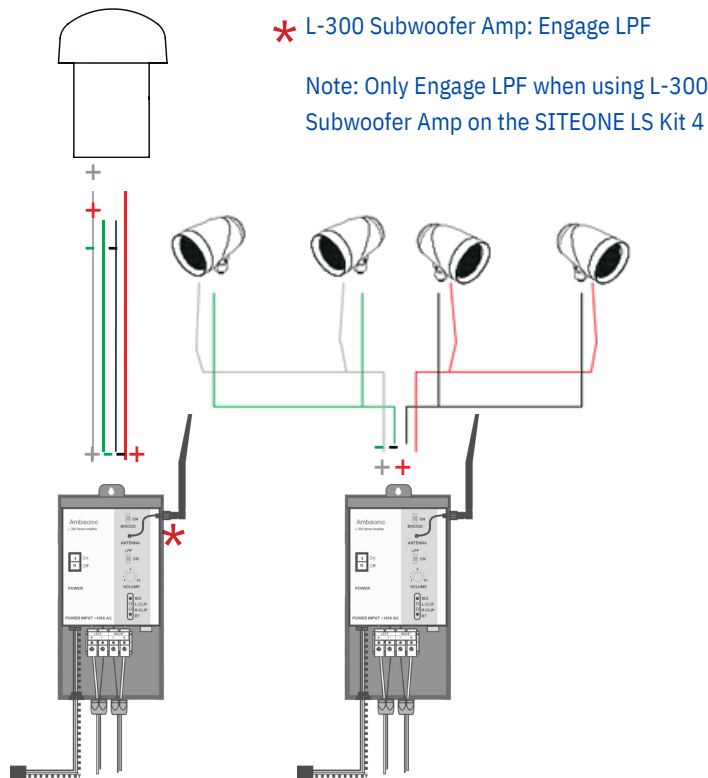
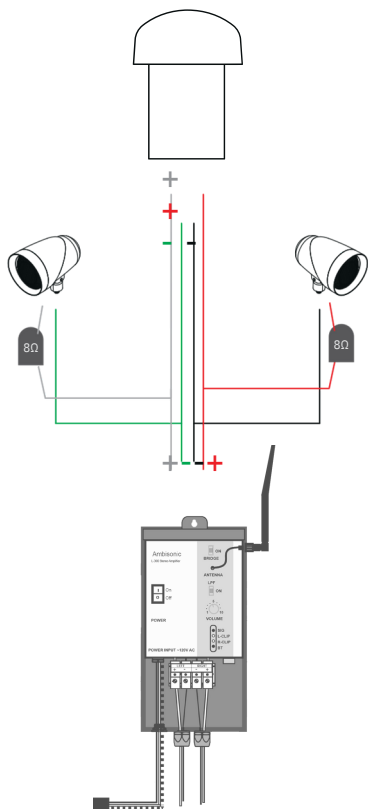


60 o Dispersion Range 360 o Dispersion Range

# AUDIO KIT 3 & KIT 4 - SPECIFICATIONS

KIT3

KIT4



## COMPONENT

WOOFER

TWEETER

FREQ. RESPONSE

POWER HANDLING

IMPEDANCE

SPL

FINISH

DIMENSIONS

## LS64

6" Poly, Passive Radiator

1" Titanium

60Hz-20kHz +/-3dB

50W RMS | 150W Peak

8Ω or 70V

106dB

Rugged Injected Molded Plastic

11"Lx7"Dia x 7"H

## S11BP-IG

11" Dual Voice Coil Polypropylene

N/A

41Hz - 150Hz +/-3dB

200W x 2 AES | 400W x 2 Peak

8Ω or 70V

N/A

Rubber Surround Dark Brown Canopy

12 3/16" Dia x 23" H | 17" Dia x 8 7/16" Canopy

## LS64



90° Dispersion Range

## S11BP-IG

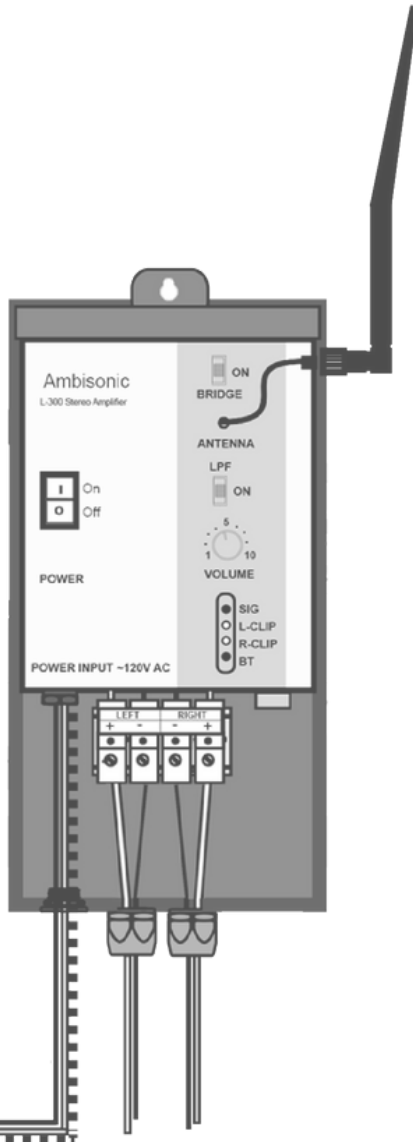


360° Dispersion Range

# L-300 AMPLIFIER - FEATURES

THE NEW L-300 AMPLIFIER HAS BEEN DESIGNED AND ENGINEERED TO DELIVER THE BEST POSSIBLE "AUDIOPHILE" QUALITY SOUND.

FEATURING 2 CHANNELS OF CLEAN POWER FOR MANY OUTDOOR APPLICATIONS AND DESIGNED WITH AN IP-66 ALL-WEATHER STEEL ENCLOSURE FINISH. EASILY CONNECTS THROUGH BLUETOOTH TO YOUR DIGITAL DEVICES ALLOWING YOU TO PLAY MUSIC CONTENT FROM YOUR FAVORITE STREAMING SERVICES OR PERSONAL CATALOGS.



- ✓ • ALL WEATHER ROBUST STAINLESS STEEL ENCLOSURE IP-66
- 🔗 • LINK MULTIPLE SYSTEMS
- 📶 • BLUETOOTH 5.0 CONNECTIVITY
- 📶 ON BRIDGE • BTL BRIDGE MODE SWITCH
- ✓ • 120HZ LPF SWITCH: TO USE AS SUBWOOFER AMP
- 🌱 • LINE IN AND OUT ON PHOENIX CONNECTORS
- 🕒 VOLUME • INPUT SENSITIVITY VOLUME KNOB FOR MATCHING GAIN TO SOURCE (PREAMP)
- 👤 • HIGH FIDELITY PERFORMANCE
- ✓ • SIMPLE INSTALLATION & WIRING



2 CHANNELS:  
150W @ 8Ω | 250W @ 4Ω SURFACE MOUNT  
BLUETOOTH  
ALL WEATHER IP66  
7" W x 6.25" D x 12.75" H

- 120HZ LPF SWITCH AS SUBWOOFER AMP
- BTL BRIDGE MODE SWITCH
- INPUT SENSITIVITY



# LET US HELP PICK THE RIGHT SYSTEM FOR YOUR SPACE



Limited Lifetime Warranty on SOLSCAPE & SOLSAT4 (KITS 1 & 2)

5 Year Limited Warranty on LS64 (KITS 3 & 4)

3 Year Limited Warranty on S11BP-IG (KITS 3 & 4)

3 Year Limited Warranty on L-300 Amp (KITS 1 - 4)

# WHEN **THE BEST SOUND** MATTERS...

## CHOOSE A CUSTOMIZED LANDSCAPE AUDIO DESIGN

LET OUR DESIGN SERVICES TEAM DESIGN YOU THE IDEAL SOUND COVERAGE FOR YOUR LANDSCAPE AUDIO SYSTEM. WITH OUR EXPERTISE & EXPERIENCE, WE CAN SUGGEST THE IDEAL TYPE OF SYSTEM FOR YOUR SCENARIO AND SET UP, AND PINPOINT SPECIFIC LISTENING AREAS AND ZONES. WE WILL SPECIFY THE CORRECT SPEAKER PLACEMENT & DIRECTION FOR EACH SITUATION, ADJUSTING EACH DESIGN TO ACHIEVE THE HIGHEST SOUND EXPERIENCE; FOR FULL QUALITY AND EVEN COVERAGE, WITHOUT DISTURBING YOUR NEIGHBORS.



SURFACEMOUNT



LANDSCAPE SPIKE



TREEMOUNT

THE GOAL IS TO DISCREETLY HIDE SATELLITE SPEAKERS AND SUBWOOFERS OUT OF SIGHT WITHIN PLANTS, SHRUBS AND TREES WHILE NOT COMPROMISING ANY PERFORMANCE. WE WILL PROVIDE YOU WITH A SYSTEM SPEAKER POSITION PLAN ILLUSTRATING EXACTLY WHERE YOUR SATELLITE SPEAKERS AND SUBWOOFERS WILL BE PLACED WITHIN YOUR LANDSCAPE, TO EASILY VISUALIZE YOUR CUSTOM SOUND COVERAGE BEFORE INSTALLATION.

# AVAILABLE PRODUCTS



DSP-700



LSR60



6.5HD



10HDR-AW



12HDR-AW



S11BP



10BP-IG



12BP-IG



ROCK80G



ROCK80S



LSR80



6.5HD-AW-S



6.5HD-AW-L



IO50B/W



IO60B/W



IO80B/W